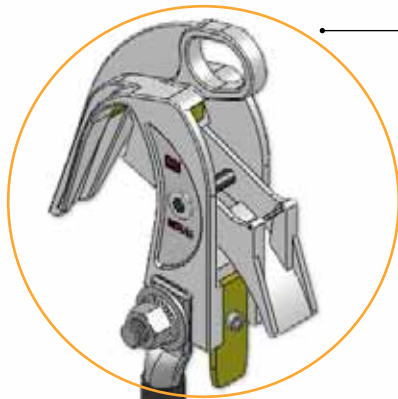


EQUIPOTENTIAL BOND

Single Phase Snap-on Earth Set

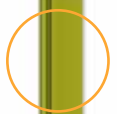
Typical use:
+ Equipotential bond in OH Networks where non-energised metallic parts need to be connected to earth



Phase Clamp Selection

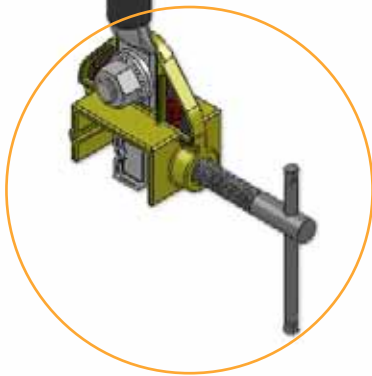


MT-613/3
Snap on clamp



Lead Selection

RATING-0.5 SECONDS	10kA	16kA	25kA	45kA
ALUMINIUM STRANDED CONDUCTOR SIZE	55mm ²	85mm ²	130mm ²	2 x 130mm ² in parallel
LEAD LENGTHS (m)	1 to 20	1 to 20	1 to 30	1 to 20
PVC SHEATH COLOURS	Yellow with black stripe	Yellow with orange stripe	Yellow no stripe	Yellow no stripe



Earth Clamp Selection



MT-840/1



MT-843



MT-847



MT-1921-E

HOT STICK ACCESSORIES TO SUIT

+ **MT-630 #** Application Platform
+ **CRA- #** Removal tool

Where # is "C" for CATU Hexagonal quick fit system, or "K" for universal sunrise fitting.



MT-630-C
Application platform



CRA-C
Clamp Remover



MT-630-K
Application platform



CRA-K
Clamp Remover